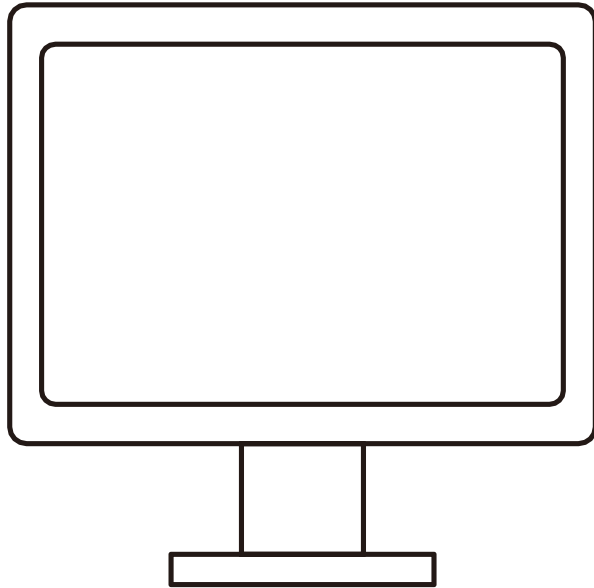


# CAPACITIVE TOUCH SCREEN MANUAL

## TOUCH SCREEN PRODUCTS



### FEATURES

- Screens serve as POS, PC Monitor, Portable TV for Video in RV, Car, Boat, etc.
- Perfect for use in retail, point-of-sale (POS), VOD system, Juke Box and many other hospitality applications.
- Sensitive touch screens recognize touch input from stylus, finger, gloved hand, pen or tool.
- Exceptional and durable touch screen monitor at an excellent value.

Support touch, Can replace mouse and keyboard operation.  
 Can work with the laptop and etc in VGA, HDMI, AV, BNC mode.  
 Compatible with Windows XP, Windows 7/8/10, Linux and etc.  
 Option for backlight adjustment with menu or knob.  
 No driver and No calibrate.

	19 Inch Pos Touch Screen Monitor	17 Inch Pos Touch Screen Monitor	15 Inch Pos Touch Screen Monitor	10.4/12.1 Inch Pos Touch Screen Monitor
Screen size	19"	17"	15"	10.4" /12.1"
Display Type	Touch Screen	Touch Screen	Touch Screen	Touch Screen
Display Format	4:3 Standard LCD	4:3 Standard LCD	4:3 Standard LCD	4:3 Standard LCD
Maximum Resolution	1280X1024	1280X1024	1024X768	800X600/1024X768
Contrast Ratio	1000:1	1000:1	700:1	350:1
Brightness	300cd/m <sup>2</sup>	300cd/m <sup>2</sup>	300cd/m <sup>2</sup>	250cd/ m <sup>2</sup>
Response Time(typical)	5ms	5ms	8ms	12ms
Horizontal Viewing Angle	170 degrees	170 degrees	140 degrees	90 degrees
Vertical Viewing Angle	170 degrees	160 degrees	125 degrees	60 degrees
Power Consumption	<48W	<48W	<31.2W	<31.2W
Power Supply	100-240 VAC/50-60Hz	100-240 VAC/50-60Hz	100-240 VAC/50-60Hz	100-240 VAC/50-60Hz
Stand	Metal with plastic cover	Metal with plastic cover	Metal with plastic cover	Plastic
Touch Screen Type	Capacitive Touch	Capacitive Touch	Capacitive Touch	Capacitive Touch

Remark: manual is suitable use for other sizes.

## Troubleshooting

### Problem:Screen has no picture

If LED indicator is off:Check whether the cable is connected firmly. If LED indicator is red:Check whether the connection of the video. cable is firm and check whether the computer is turned on.

If LED indicator is green:Check whether horizontal synchronization exceeds the range.

### Problem:Picture unstable(miscellaneous waves,shake etc.)

Check whether the video of computer matches with monitor?

## Important notice

### Cleaning important notice

1. Please use a soft cloth to clean the LCD Screen,in order to remove dust and particles from screen.
2. Do not exert excessive pressure on the LCD screen when cleaing.
3. Please don't use water or chemicals to clean the surface of the LCD screen as these may cause damage.

### Cleaning Important Notice

BEFORE USE, PLEASE READ THE FOLLOWING PRECAUTIONS IN DETAIL, AND KEEP IT FOR FUTURE PEFERENCE

1. Do not obstruct or block heat dissipation hole under machine, so as not to hinder the ventilation and heat dispersion.
2. Do not use the sharp objects, metal or liquid to make contact with signal terminal or heat dissipation hole, to avoid damaged.
3. If product is not to be used for long periods, remove the power cable from the device.
4. Do not attempt to dismantle the product yourself to prevent injury and/or damage to the product,doing so voids the warranty.
5. Do not touch screen surface with sharp objects, this may damage the screen surface in this way, and very difficult to drive out if oil of skin stay at screen.
6. Do not exert excessive pressure to LCD screen to prevent damage .
7. Please pul out Power Supply Cable of this product in the following situations:
  - A:If you will not used the product for an extended period.
  - B:If the cable or and/or plug are damaged.

## 19 inch Product Specification

LCD panel type	19 TFT liquid crystal display
Max resolution	1280(Horizanal)x1024(Vertical)xRGB
Display area	376.32(H) × 301.056(V)
Contrast	1000:1
Brightness	300cd/m <sup>2</sup>
Response time	5ms
Viewing angle left/right	+80°~-80°or +60°~-60°
Up/Down	+80°~-80°or +55°~-55°
Input signal video signal	RGB analogy 0.7Vp-p
Display mode	VGA,SVGA,XGA
Signal connecting cable	15 hole mini model D type
Front panel control button	Power control switch, LED indicator lamp,OSD Option,+/-Adjustment
	button, screen automatic setting, OSD Selecting
Input	VGA,HDMI(DVI Option)
	USB Touch
	DC OR AC.
Power supply transformer	Alternating current input:100-240V      50-60HZ
	Direct current:12V/4A
Operating environment	Temperature 0~50 Humidity 20%~80%
Store environment	Temperature-20~60 Humidity 20%~80%
Security authentication	FCC,CE,ROHS

## 17 inch Product Specification

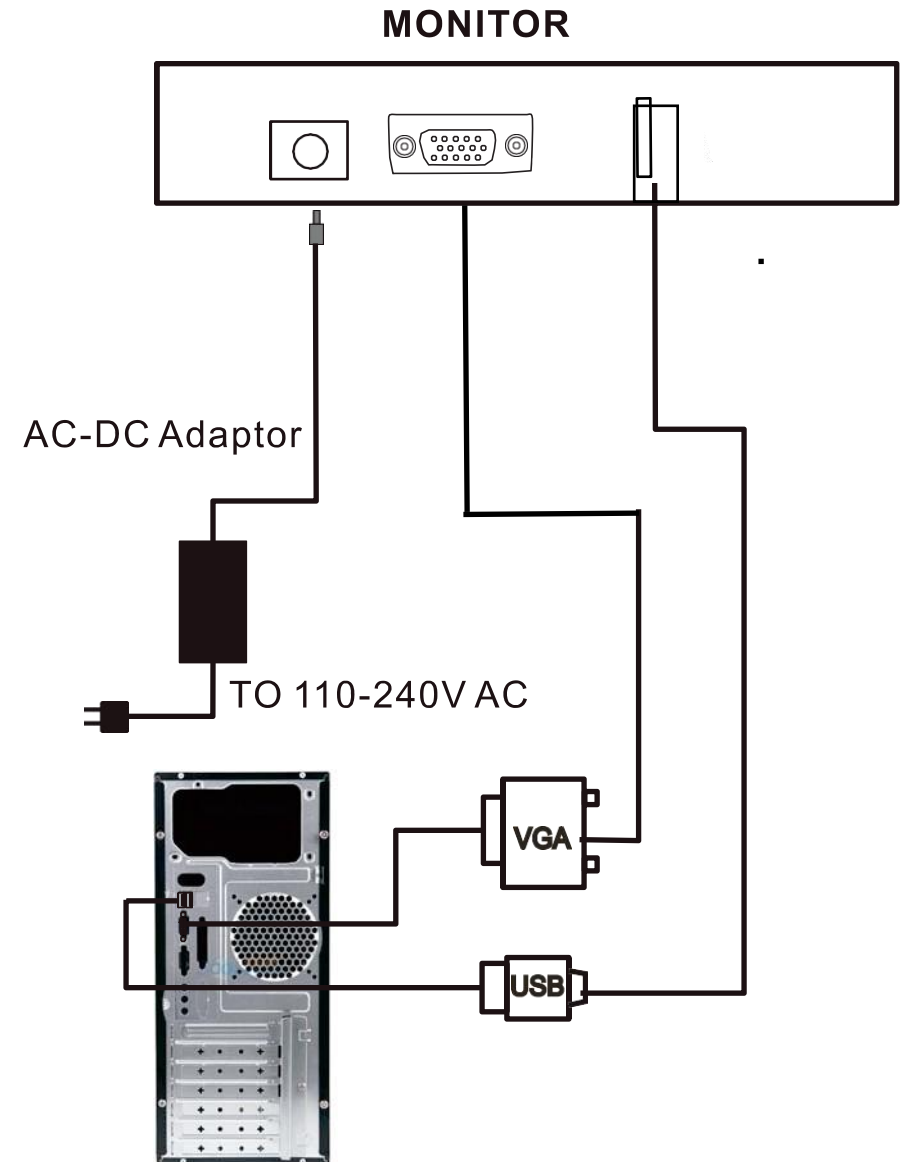
LCD panel type	17 TFT liquid crystal display
Max resolution	1280(Horizanal)x1024(Vertical)xRGB
Display area	337.92(W)x270.336(H) mm
Contrast	1000:1
Brightness	300cd/m <sup>2</sup>
Response time	5ms
Viewing angle left/right	+80°~-80°or +60°~-60°
Up/Down	+80°~-80°or +55°~-55°
Input signal video signal	RGB analogy 0.7Vp-p
Display mode	VGA,SVGA,XGA
Signal connecting cable	15 hole mini model D type
Front panel control button	Power control switch, LED indicator lamp,OSD Option,+/-Adjustment
	button, screen automatic setting, OSD Selecting
Input	VGA,HDMI(DVI Option)
	USB Touch
	DC OR AC.
Power supply transformer	Alternating current input:100-240V 50-60HZ
	Direct current:12V/4A
Operating environment	Temperature 0~50 Humidity 20%~80%
Store environment	Temperature-20~60 Humidity 20%~80%
Security authentication	FCC,CE,ROHS

## 15 inch Product Specification

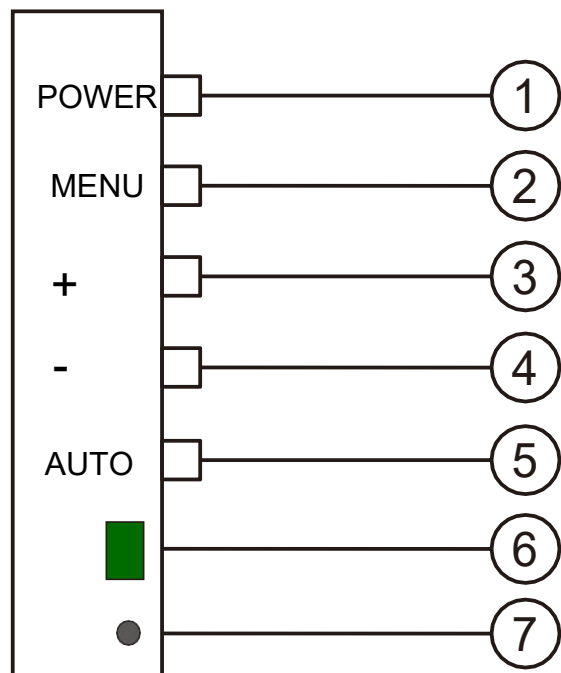
LCD panel type	15.1 TFT liquid crystal display
Max resolution	1024(Horizanal)x768(Vertical)xRGB
Display area	304.128(H) × 228.096(V)
Contrast	700:1
Brightness	300cd/m <sup>2</sup>
Response time	8ms
Viewing angle left/right	+70°~-70°or +60°~-60°
Up/Down	+70°~-70°or +55°~-55°
Input signal video signal	RGB analogy 0.7Vp-p
Display mode	VGA,SVGA,XGA
Signal connecting cable	15 hole mini model D type
Front panel control button	Power control switch, LED indicator lamp,OSD Option,+/-Adjustment
	button, screen automatic setting, OSD Selecting
Input	VGA,HDMI(DVI Option)
	USB Touch
	DC OR AC.
Power supply transformer	Alternating current input:100-240V 50-60HZ
	Direct current:12V/2.6A
Operating environment	Temperature 0~50 Humidity 20%~80%
Store environment	Temperature-20~60 Humidity 20%~80%
Security authentication	FCC,CE,ROHS

### 10.4/12.1 inch Product Specification

LCD panel type	10.4/12.1 TFT liquid crystal display
Max resolution	800(Horizanal)x600(Vertical)xRGB/1024(Horizanal)x768(Vertical)xRGB
Display area	210.4(W)×157.8(H)mm 10.4 inch 245.76(H)×184.32(V)mm 12.1inch
Contrast	350:1
Brightness	250cd/m <sup>2</sup>
Response time	12ms
Viewing angle left/right	+45°~.45°or +25°~.15°
Up/Down	+45°~.45°or +25°~.15°
Input signal video signal	RGB analogy 0.7Vp-p
Display mode	VGA,SVGA,XGA
Signal connecting cable	15 hole mini model D type
Front panel control button	Power control switch, LED indicator lamp,OSD Option,+/-Adjustment button, screen automatic setting, OSD Selecting
Input	VGA,HDMI(DVI Option)
	USB Touch
	DC OR AC.
Power supply transformer	Alternating current input:100-240V 50-60HZ
	Direct current:12V/2.6A
Operating environment	Temperature 0~50 Humidity 20%~80%
Store environment	Temperature-20~60 Humidity 20%~80%
Security authentication	FCC,CE,ROHS

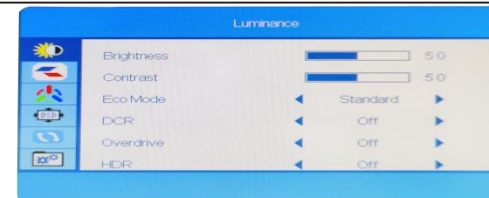


## Front Panel of the Device

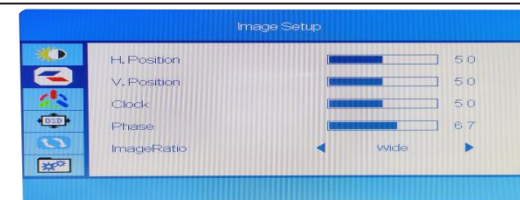


1. Power ON/OFF Turn on or off unit
2. OSD menu, exit the present menu if neter again
3. Icon right  
Project down  
Increase choosing adjustment parameter of OSD
4. Icon left  
Project up  
Reduce choosing adjustment parameter of OSD
5. Automatic setting display paremeter
6. power supply LED indicator: green light repressents work, red light repressents wait condition
7. Remote control window

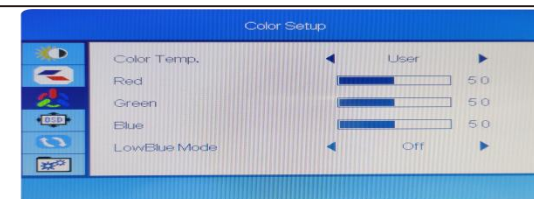
## Basic operation



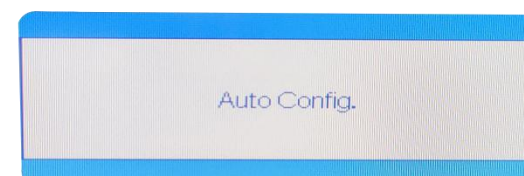
Press MENU button to show the follow menu. Press MENU button again to enter into luminance mode, press UP/DOWN button to choose the item, and press MENU button to confirm, then press UP/DOWN button to adjust.



Press MENU button to show the follow menu. Press MENU button again to enter into Image Setup mode, press UP/DOWN button to choose the item, and press MENU button to confirm, then press UP/DOWN button to adjust.



Press MENU button to show the follow menu. Press MENU button again to enter into Color Setup mode, press UP/DOWN button to choose the item, and press MENU button to confirm, then press UP/DOWN button to adjust.



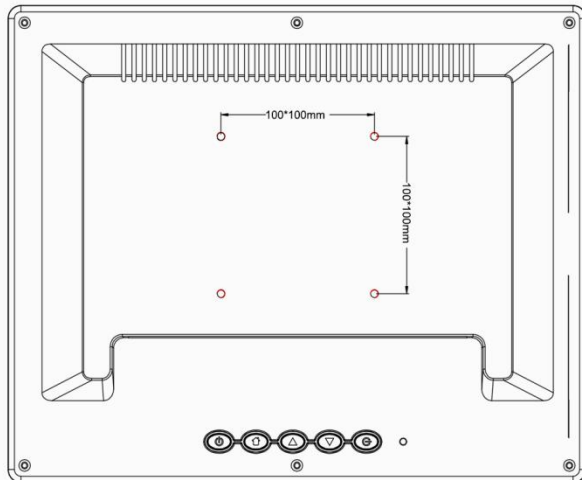
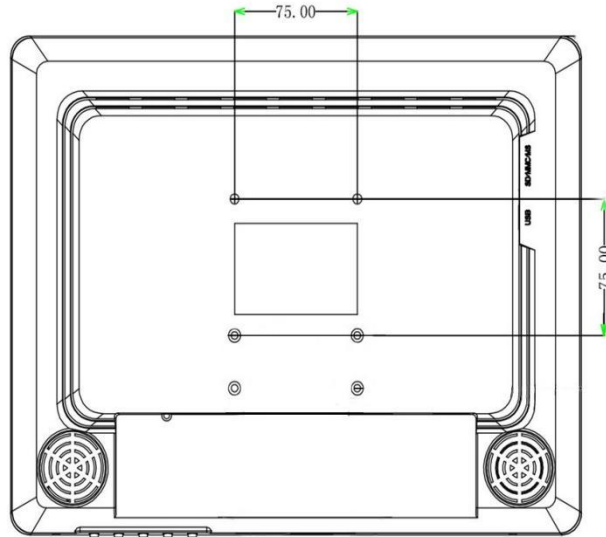
Press Auto- Automatic setting display paramater

## Touch Controller Specification

Power requirements	+5VDC(Maximum 100mA, typical70mA,50mV peak to peak maximum ripple)
Operating temperature	-20° to 70°C
Storage Temperature	-40° to 80°C
Hardness	Hardness ≥ 6H
Structures	Glass+ Glass
Input Method	Finger or Cap. Stylus
Accuracy	Within 2.5mm each target & 10% Jitter limit on moving
Response time	10ms
Resolution	25ppi (Min.)
Haze	3% (Maximum)
Regulatory Approvals	FCC-B, CE,ROHS
OS support	<ol style="list-style-type: none"> <li>1. Windows 7/8/10/ME/NT4/2000/XP/Windows XP Tablet PC Edition</li> <li>2. Windows CE 2.12/3.0/.NET</li> <li>3. Linux(RedHat/Fedora/Mandrake/Suse/ YellowDog)</li> <li>4. iMac. OS9.xOSX</li> <li>5. MS-DOS:</li> </ol> Support display resolution: 320x200,640x200,640x350,640x480,800x600, 1024x768,1280x1024,1920*1080

## Touch Controller Specification

Storage	<ol style="list-style-type: none"> <li>1.A touch panel should be stored under the environment temperature and humidity controlled as suggested.</li> <li>2.Do not store a touch panel in direct sunlight.</li> </ol>
Cleaning	<ol style="list-style-type: none"> <li>1. Prevent using any kind of the chemical solvent, acidic or alkali solution when cleaning.</li> <li>2. Neutral detergent or isopropyl alcohol was suggested if the panel is cleaned.</li> </ol>
Operation	<ol style="list-style-type: none"> <li>1. The panel must be operated in a steady environment, the abrupt change of the environment conditions may cause the malfunction of the panel.</li> <li>2. In order to guarantee all functions of a touch panel stable, please make sure that system is grounded or a power adapter is connected correctly to ground loop (Connection to earth ground is suggested).</li> <li>3. Do not pull the interface connector in or out while the touch panel is operating.</li> <li>4.Any sharp edged or hard objects are interdiction to hitting when touch panel operation.</li> </ol>
Others	<ol style="list-style-type: none"> <li>1. We will provide 12 months product guarantee under normal operation Conditions.</li> <li>2. If the panel will be used in extreme conditions such as high temperature, high humidity,high altitude or long operation time etc., It is strongly recommended tocontact for field application engineer's advice. Otherwise, Its reliability and function may not be guaranteed</li> <li>3. Avoid high voltage and/or static charge being applied to touch module.</li> <li>4.Keep the panel surface clean. Prevent any kind of adhesive applied on the surface.</li> <li>5.To avoid the metal or any kind of the electric conduction materials on the touch screen when you are handling.</li> </ol>



The first step in troubleshooting a touchscreen system is to determine whether the problem is related to software, computer hardware or this touchscreen monitor

**Do not confuse computer hardware or software problems with touchscreen problems. The easiest way to verify a computer hardware/software failure is to try the monitor on other computer..**

Hardware problems may be caused by the touchscreen, controller, cabling, power supply, or by the integration of the touchscreen components in the display. Software problems are determined by a basic hardware functionality test. If the hardware transmits coordinates Correctly, then the problem is with the driver or the calibration software.

**Problem: No image appears on screen.**

Check that all the I/O and power connectors are correctly installed and well connected as described. Make sure the pins of the connectors are not crooked or broken. Reconfigure the resolution of your computer to make it less than or equal to 1024 x 768.

**Problem: Partial Image or incorrectly displayed the image.**

Check to see if the resolution of your computer is higher than that of the LCD display. Reconfigure the resolution of your computer to make it less than or equal to 1024 x 768.

**Problem: Image has vertical flickering line bars. Image is unstable and flickering**

Check and reconfigure the display mode of the vertical refresh rate of your graphic card to make it compatible with the LCD display.

**Problem: Image is scrolling**

Check and make sure the VGA signal cable (or adapter) is well connected. Check and reconfigure the display mode of the vertical refresh rate of your graphics card to make it compatible with the LCD Display.

**Limited Warranty**

Warranty is one year from the date of purchasing this product. Please ensure you carefully keep original purchase proof with date, and record the Serial Number label on the back of the monitor. It is the only means of identifying your product.

**EXCLUSIONS (WHAT IS NOT COVERED)**

1. Accessories such as power adapter, stylus etc. are not covered under this warranty policy.
2. This warranty does NOT cover freight cost, insurance and any other incidental charges.
3. This warranty becomes void if the monitor shows evidence of having been dropped, impact, sand and/or water damage, mishandling, tampering, battery or chemical corrosion, use contrary to this instruction manual.